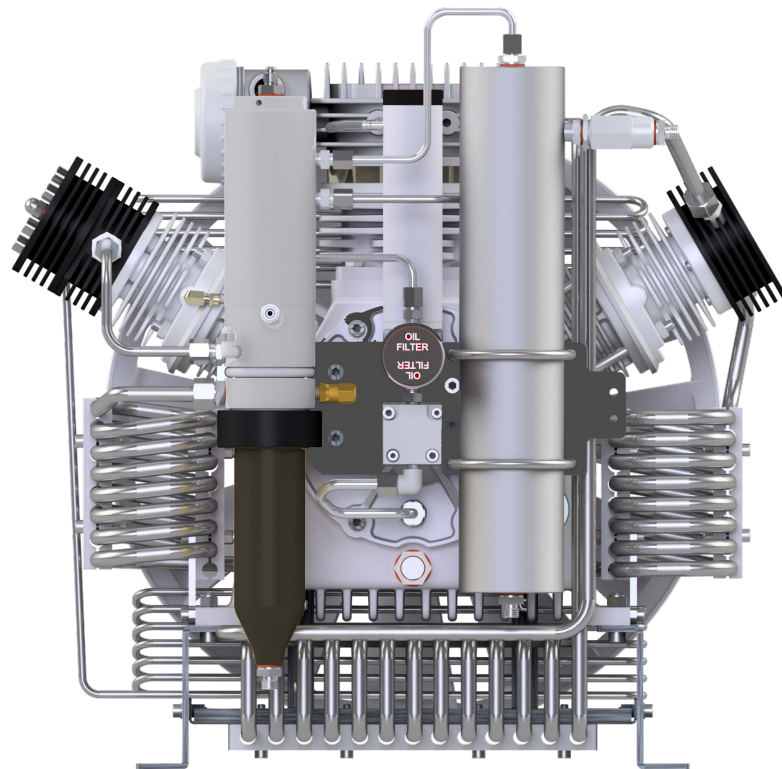




Training Program 2023

High Pressure Compressors- Filling stations
Trainings for technicians, users and operators



YOUR SAFETY IS OUR SUCCESS

REASONABLE AND INDISPENSABLE - KOMPPLAN COMPRESSOR TRAININGS

„Of course trainings cost money. You can invest your money in machinery, cars or real estate.

And... you can also invest in something with lasting benefits and immediate profit: your own knowledge and skills!”

KOMPPLAN compressor workshops are necessary and useful, especially if you want to ensure the safe operation and proper handling of your compressor system. These workshops may even be compulsory for certain diver's certificates or for fulfilling legal provisions.

At large filling stations and diving centers failure of a compressor or filling contaminated air due to inadequate or inexpert maintenance usually causes considerable losses in both image and finances. This can only be prevented by profound technical knowledge and proper handling of the compressor system.

Compressors are no overly complicated constructions - the basic knowledge taught at our workshops should be well sufficient to properly operate your compressor and carry out the most important maintenance work and minor repairs.

Why high-pressure compressor workshops?

Breathing-air, clean and pure in compliance with DIN EN 12021:2014 (formerly DIN 3188) is a major prerequisite for safe diving. To ensure this, two essential requirements must be met: a filling station in compliance with strict technical regulations and proper operation. Above all, all relevant safety requirements must be observed strictly and thoroughly. Inexpert operation and subsequent failure of the compressor not only costs money, but also poses a risk of injury to personnel and divers.

The skills you will learn during the practical parts of the workshops and the technical knowledge from the theory parts will help you to operate and maintain a compressor system safely, competently, and in compliance with the relevant regulations.

As a commercial operator of a compressor and / or a filling plant, they require proof of competence for the operation of the plant, as required by the operational safety ordinance. As soon as a donation to others takes place, an approval by the responsible authority is necessary!

This seminar gives you legal certainty regarding liability risks in the operation of filling systems. The know-how conveyed in our seminars for the operation of a compressor system for breathing air is based on the requirements of the Industrial Safety Ordinance (BetrSichV 2015) and the corresponding Technical Rules (TR 401), as well as the PED 2014/68/EU.

The theory part explains facts and functions of the compressor, as well as the legal provisions pertaining to the operation of a filling station for breathing-air. Knowledge of these provisions is indispensable for all operators and will therefore be an important focus in our workshops. In the practical part we will teach you how to carry out maintenance work that the manufacturer scheduled to be done by the operator, and the necessary skills and knowledge to do minor repairs in consultation with the manufacturer.

Contents

Our trainers	3
Organizational information	4
Registration	4
Cancellation.....	4
Course fees	4
Hotel recommendation	5
How to find us.....	6
The seminar room	6
Course details	7
Compressor technology, filling systems - Basic	7
Compressor technology - Professional	8
NITROX-Membrane System with high pressure compressors.....	9
Local Trainings all around the world.....	10

Our trainers



Stephan Adam

Expert for high-pressure compressor systems and filling systems

Qualified person according to §32 Pressure Vessel Ordinance

Qualified person according to the Ordinance on Industrial Safety and Health

Qualified person according to the European Pressure Equipment Directive (PED) 2014/68/EU

Nußdorferstrasse 17 a

D-83098 Brannenburg/Germany

Mob.: +49 (0) 171 420 5521 Mail: s.adam@kompplan.de

Organizational information

Registration

Please register on our online registration page:

<http://www.kompplan.de/en/trainings/online-application/>

or follow this path

www.kompplan.de > English version > trainings > online registration

Please be aware that your registration is binding. You are only entitled to participate, however, after you received written confirmation from Kompplan and after receipt of the course fee in our account. We will send you an invoice and our bank details.

Cancellation

In the event of an insufficient number of participants we reserve the right to cancel the training up to 6 business days before the scheduled beginning. In this case we will refund your course fee advance payment.

You can also cancel the booked training until up to 8 business days before the scheduled beginning. You must do so **in writing**.

Afterwards we will invoice 70% of the course fee.

We will not refund flight / train tickets and other travel expenses.

Please be aware that in case of unexcused absence from the training we will charge 100% of the course fees.

Course fees

The course fee includes the current VAT rate, workshop documents and certificates, beverages, lunch and afternoon coffee with pastries.

For group bookings of three or more participants we grant a 10 % discount on all our trainings; for 6+ participants 15 % discount.

Special provisions for refresher and air-quality trainings: for 3+ participants 5%, for 6+ 10% discount.

Hotel recommendation

If you need hotel accommodation, we can recommend the following hotels.

Contact for info and bookings:



Hotel - Gasthof Schloßwirt

Kirchplatz 1

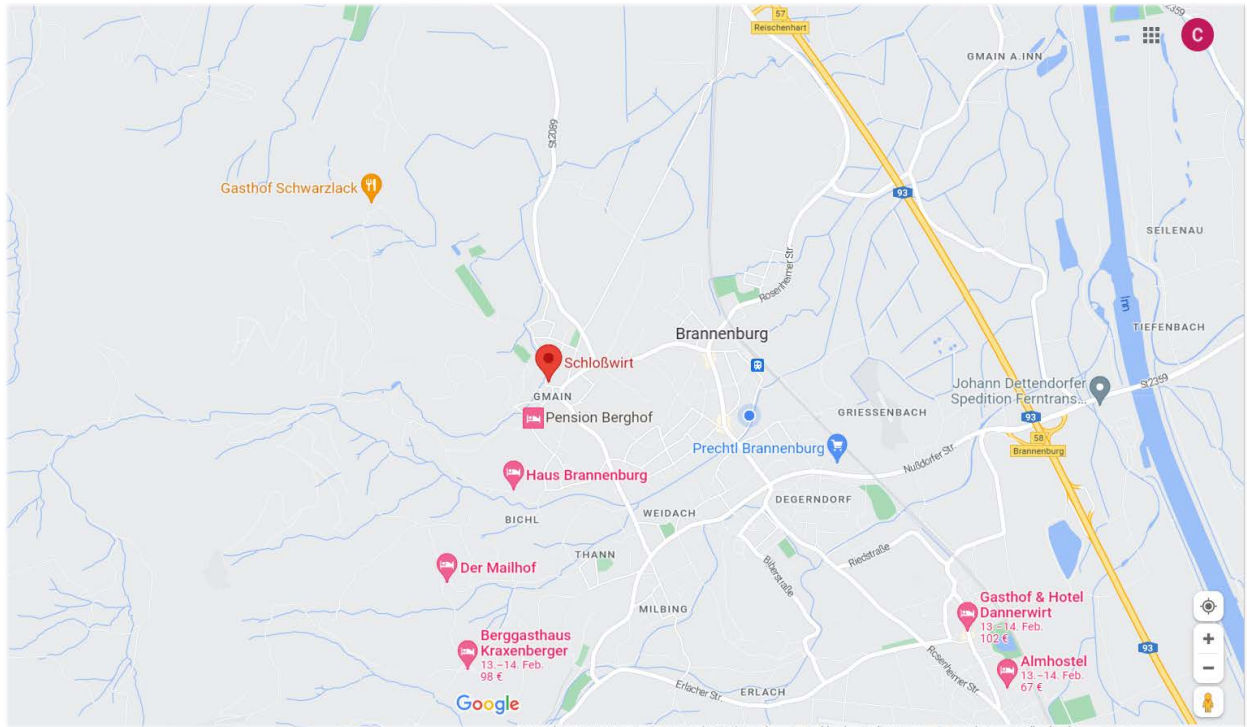
83098 Brannenburg

Tel. Hotel: 08034 636 88 79

www.schlosswirt-brannenburg.de

How to find us

Hotel - Gasthof Schloßwirt
Kirchplatz 1
83098 Brannenburg/ Germany



The class room



Compressor technology, filling systems - Basics

- Target group:** Participants from the areas of breathing air, fire brigade, diving and industry. Graduates of the operator seminar and people who already have extensive experience in handling high-pressure compressors who would like to expand their knowledge of troubleshooting and troubleshooting. This seminar is, among other things, a prerequisite for acquiring the expertise of a “qualified person according to Section 32 of the Industrial Safety Ordinance” and the speed test
- The seminar is manufacturer-independent**
- Content:** Introduction to the basic functions of a high pressure compressor
How do I set up a system correctly, explanation of the installation rules to be observed
Important technical rules, standards and safety regulations
How do I avoid accidents
Recognize functional deficiencies in a previously prepared system and these To be remedied by dismantling / assembly with subsequent test run
Which consumables and spare parts do I have to order for the system and the affected peripherals and how do I use them.
Introduction to controls and electrical assemblies
- Benefit:** In this training participants gain the additional competence to define and operate different compressor controls, to determine mechanical and electrical faults and to run a breathing-air analysis.
Upon successful completion the participants receive a certificate (valid for 3 years)
- Please bring appropriate protective clothing with you**
- Duration:** 2 days
- Number of participants:** During ongoing Covid 19 restrictions 15 people
- Location:** IDE-Komplan
- Hotel - Gasthof Schloßwirt
Kirchplatz 1
83098 Brannenburg/ Germany
- Times:** Day 1: 9,00 am - 12.00 pm and 1.00 pm - ca. 5.00 pm
Day 2: 9,00 am - 12.00 pm and 1.00 pm - ca. 4.00 pm
- Dates:** 11.-12. April 2023 11.-12. July 2023 17.-18. October 2023
- Registration:** [Online registration or by mail: training@komplan.de](https://www.komplan.de/training)
- Course fee:** € 600,00
the price for the training includes participant certificate, training documents, seminar drinks, lunch, afternoon coffee with pastries.
When booking with the technic professional training the following 2 days:
€ 950.00 together for both trainings

Compressor technology - professional

Target group: Service technicians from the application areas breathing air, fire brigade, diving and industry. Graduates of the Technik-Basic seminar and persons who already have longer experience in handling high-pressure compressors and who would like to expand their knowledge with regard to compressor internal life and function.

The training is designed to be manufacturer-independent.

Content: Troubleshooting and repair of a specially prepared system
 The inner workings of a compressor block and the path of air (flow chart) through the 3 stages 3 - 7.5 kW and 4 stages 11 - 18.5 kW compressor
 get to know professional troubleshooting, localization and proper repair, setting and testing of the safety devices
 Programming one of the newest CAN bus controls.
 Working with an air quality monitoring system with sensor calibration
 Compliance with various regulations, documentation Ordering the correct spare parts
 Discussion of specific customer problems

Benefit: Recognize and correct malfunctions and defects in a high-pressure piston compressor and set and check all safety devices on a high-pressure compressor filling system
Please bring with you appropriate protective clothing!

Duration: 2 days

Number of participants: During ongoing Covid 19 restrictions 12 people

Location: IDE-Komplan
 Compressed Air Solutions
 Geigelsteinstrasse 10
 83080 Oberaudorf/ Germany

Times: Day 1: 9,00 am - 12.00 pm and 1.00 pm - ca. 5.00 pm
 Day 2: 9,00 am - 12.00 pm and 1.00 pm - ca. 4.00 pm

Dates: 13.-14. April 2023 13.-14. July 2023 19.-20. October 2023

Registration: [Online registration or by mail: office@kompplan.de](mailto:office@kompplan.de)

Course fee: EUR 600,00
 the price for the training includes participant certificate, training documents, seminar drinks, lunch, afternoon coffee with pastries.
 When booking with the technic basic training the 2 days before: € 950.00 together for both trainings

NITROX-Membrane System with high-pressure compressor operators' training

Target group: Participants from the scuba sector.
Persons who use or are interested in a NITROX MEMBRANE high pressure filling system, and who want to operate it competently and safely, e.g. compressor managers, dive shop employees, persons to be entrusted with operating the system or users who want to be authorized to fill Nitrox cylinders.

Prerequisites:

successful completion of the compressor technology BASIC training.

The training is designed to be manufacturer-independent.

Content: Basic function of operating the system
Safety regulations in accordance with technical rules for gases, industrial safety regulations and breathing air standard DIN / EN 12021-2014 compressor control, air quality monitoring
Accident prevention regulations,
Special features when dealing with O2.
Ordering spare parts and consumables Dealing with maintenance and installation instructions What to do in the event of malfunctions and how to remedy them

Benefit: Successful completion of this training enables you to competently operate and/or service filling system.
Upon successful completion the participants receive a certificate (valid for 3 years).

Duration: 1 day

Number of participants: During ongoing Covid 19 restrictions 7 people

Location: IDE-Kompplan
Hotel - Gasthof Schloßwirt
Kirchplatz 1
83098 Brannenburg/ Germany

Times: 10.00 am - ca.3.30 pm

Dates: 21. October 2023 or by angement

Registration: Online registration or by mail:

Course fee: training@kompplan.de EUR 280,00

Local Trainings all around the world

Upon request, and if the required devices and rooms are available, we can hold our trainings at your premises.

Minimum number of participants

Please give us a mail or call us and we will gladly make you an offer.

We are looking forward to your participation!

IDE-Komplan
Compressed Air Solutions